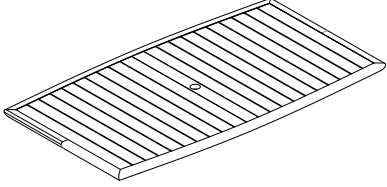
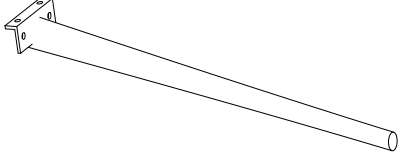
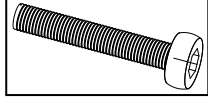
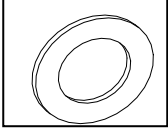



Assembly Instruction

No.	Parts	Quantity
A		1
B		4
C	 1/4*18MM	16
D	 15MM (1/4)	16
E	 1/4 Hexagon wrench	1

